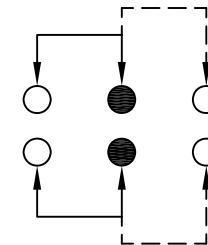
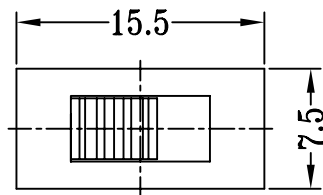
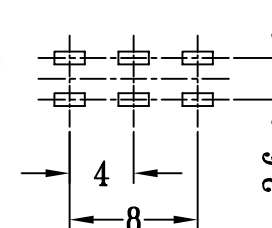
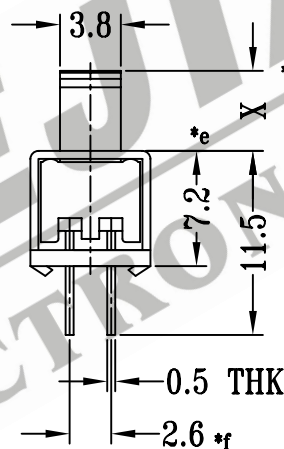
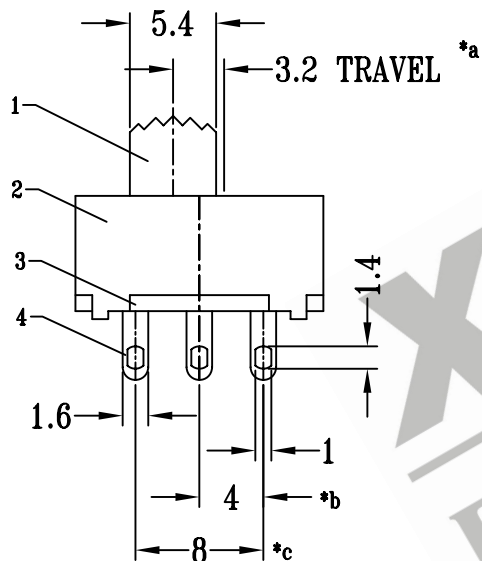


CAD FILE:



SCHEMATIC (NON-SHORTING)



P.C.B LAYOUT

注:带"*"表示关键尺寸(6个)

NO.	PART NAME	MATERIAL	Q'TY	FINISHING	TOLERANCE UNLESS SPECIFIED	SHENZHEN XIEJIA ELECTRONICS CO.,LTD.				
8										
7										
6	SPRING	STEEL WIRE	2	TEMPER	WITHIN: 1.5±0.1mm OVER : 1.5±0.2mm	ISSUE	DATE	DESCRIPTIONS		APPD.
5	CONTACT CLIP	BRASS STRIP	2	Ag PLATED				DRWG NO.: XJ-DR-SS22F62-00		
4	TERMINAL	BRASS STRIP	6	Ag PLATED OVER Ni PLATED				DWN.	ZHOUYU	2003-11-2
3	BASE	PHENOLIC RESIN	1	BLACK				CHK'D	FANGYING	2003-11-2
2	FRAME	STEEL STRIP	1	BLACK				APPD.	KANGXINAN	2003-11-2
1	KNOB	POM	1	BLACK				ALL MATERIALS MUST BE COMPLIANT TO ROHS		
					TITLE : VERTICAL SLIDE SWITCH		UNIT : MM			
					MODEL: SS-22F62		SCALE: 2 : 1			